

Raindance E

Overhead shower 300 1jet with ceiling connector

Surfaces: **Brushed Black Chrome** Article Number: **26250340**



Description

product features

- consists of: overhead shower, ceiling connector
- shower head size: 300 x 300 mm
- spray type: RainAir
- ball-joint: overhead shower angle adjustable
- material spray disc: metal
- brass ceiling connector
- ceiling connection length: 158 mm
- maximum flow rate at 3 bar: 17 l/min
- flow rate RainAir spray (at 3 bar): 17 l/min
- minimum flow pressure: 1,4 bar
- spray disc removable for cleaning
- installation: ceiling
- connection thread G ½
- connection dimension: DN15
- suitable for continuous flow water heaters

Technology



Design awards



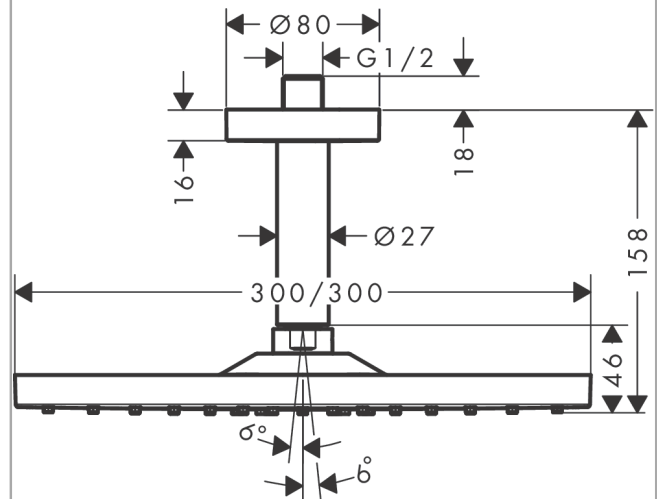
Certificates



Product image



Scale drawing



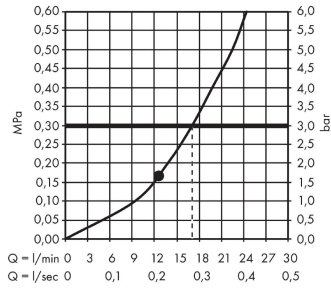
Raindance E

Overhead shower 300 1jet with ceiling connector

Surfaces: **Brushed Black Chrome** Article Number: **26250340**



Flowchart



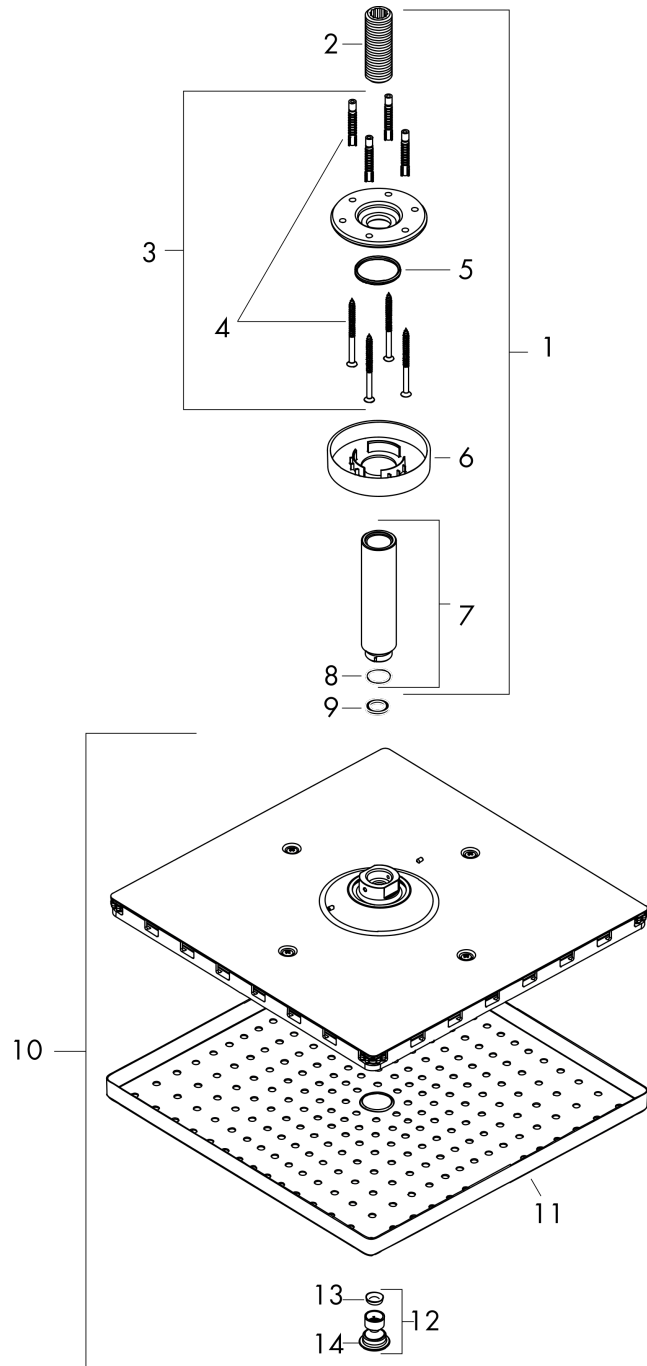
The consumption was measured in combination with the appropriate fittings (thermostat/mixer/in-wall valve) to reflect actual application in practice.

Raindance E
Overhead shower 300 1jet with ceiling connector
 Surfaces: **Brushed Black Chrome** Article Number: **26250340**



Exploded Drawing

Year of production: >11/19



Raindance E**Overhead shower 300 1jet with ceiling connector**Surfaces: **Brushed Black Chrome** Article Number: **26250340****Spare part list**

Year of production: >11/19

Pos.	Description	Article Number	Price	PU
1	shower arm	27393340	-	1
2	connecting thread	95188000	€ 28,20	1
3	mounting kit	95208000	€ 57,12	1
4	mounting set	40916000	€ 5,24	1
5	O-ring 34x2	98383000	€ 5,24	1
6	escutcheon Ø 80 mm	92122340	€ 42,36	1
7	shower arm	27479340	€ 112,46	1
8	O-ring 16x2	98133000	€ 3,21	1
9	seal	98058000	€ 3,21	1
10	air jet	93127340	€ 42,36	1
11	filter	93128000	€ 8,45	1
12	O-ring 15x2	98163000	€ 3,21	1